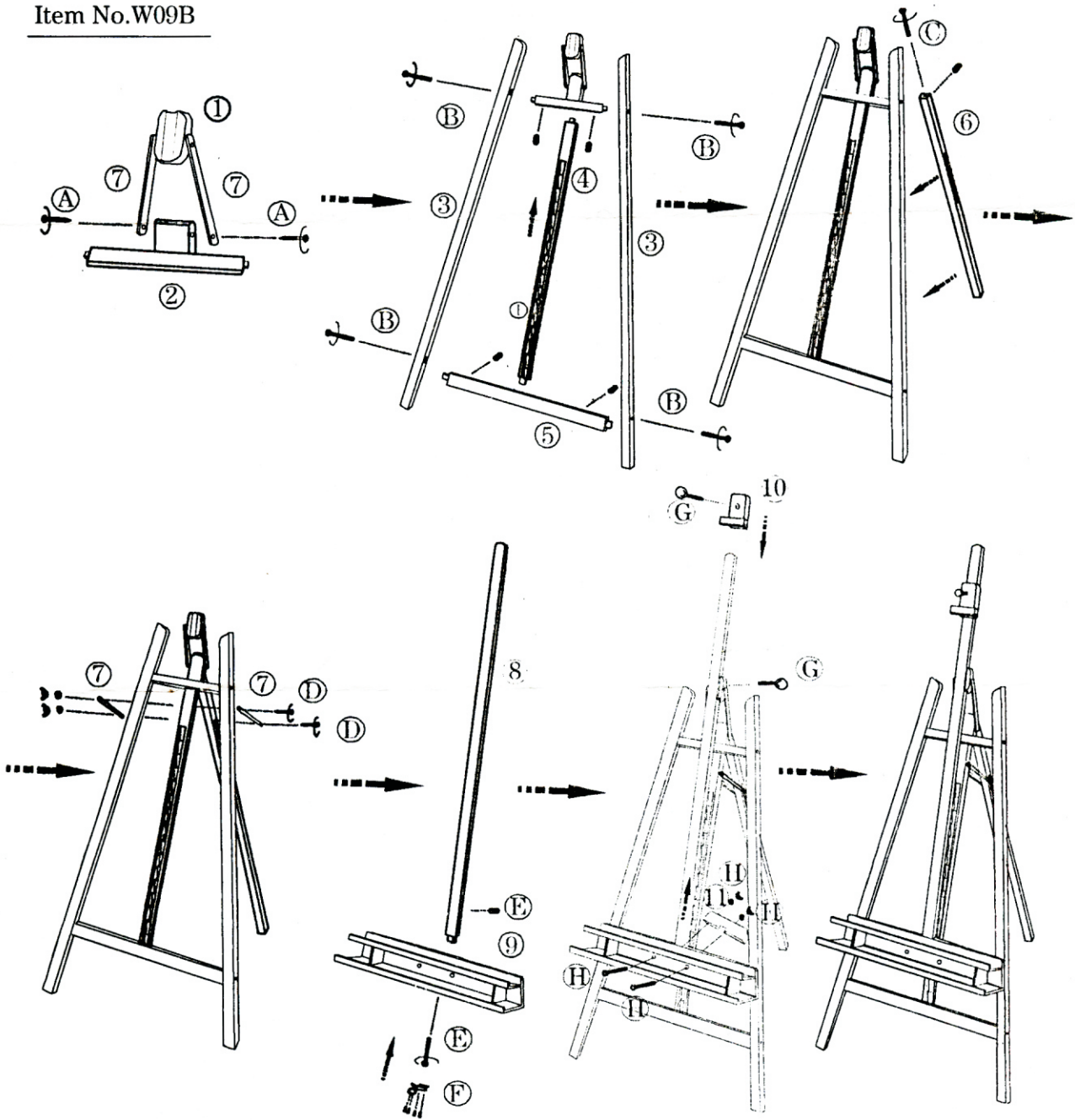


Assembly Drawing

Item No. W09B



Assembly Part list

No	Quantity	Components	No	Quantity	Components	No	Quantity	Hardwares
①	1pc		⑥	1pc		Ⓐ	2pcs	
②	1pc		⑦	2pcs		Ⓑ	1pcs	
③	2pcs		⑧	1pc		Ⓒ	1pc	
④	1pc		⑨	1pc		Ⓓ	2pcs	
⑤	1pc		⑩	1pc		Ⓔ	1pc	
⑥	1pc					Ⓕ	1pc	
⑦	2pcs					Ⓖ	2pcs	
⑧	1pc					Ⓗ	2pcs	
⑨	1pc							
⑩	1pc							
⑪	1pc							